

Extend oil use



Reduce maintenance



Reduce breakdowns



Detect contamination

PRODUCT DESCRIPTION

Tan Delta manifolds are designed specifically for OQSx-G2 oil condition analysis sensors to enable reliable and easy installation where inspection ports or other suitable installation points are not available.

Our manifolds are manufactured from solid aluminum and designed to optimise oil flow across the sensor head without impeding normal flow.

KEY FEATURES

- **Flexible solution**
Allowing quick and simple installation on any piece of equipment whether brand new or being installed as part of a retrofit.
- **Off the shelf**
Off-the-shelf manifolds to fit the vast majority of equipment for quick and easy installation.
- **Installation kits**
For many common engines we build installation kits to give your engineers everything they need for a successful implementation.
- **Bespoke service**
On the very rare occasion that we face a unique challenge for fitting our sensors, we offer a full bespoke design service to cost-effectively overcome any obstacles to installation.
- **Oil filter ready**
With our innovative oil filter adapter design, we can retrofit your equipment in a few minutes.

BENEFITS

- **Reduce maintenance costs**
Enables you to predict and pinpoint when equipment requires maintenance and oil is truly at the end of its life. This typically enables you to safely extend intervals between maintenance and reduce associated costs by approximately 30% per year.
- **Reduced downtime**
Unseen equipment issues cause subtle changes to oil condition, which are detected and alerted, enabling pre-emptive maintenance before failure or major damage and/or accelerated wear.
- **Environmental (ESG) targets**
Safely maximise oil use to reduce consumption by approximately 30% per annum. Reduce parts consumption and extend equipment life.



TECHNICAL DATA

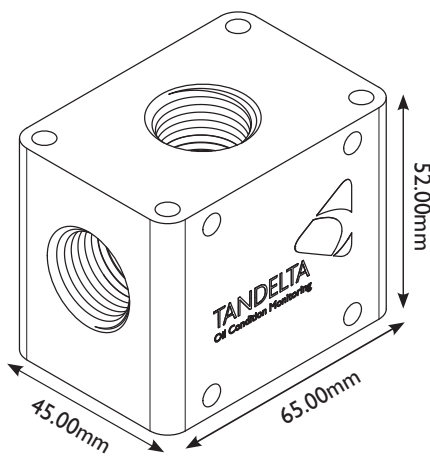
Product information

Name	Full Flow Manifold	
Product No.	1/2" BSPP	OQA-MAN-4
	1/2" NPT	OQA-MAN-5

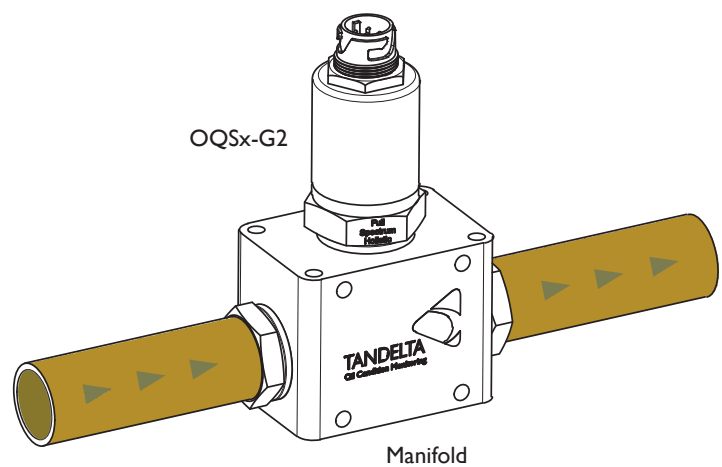
Physical

Material	Aluminium 6082
Weight	315g
Pressure	Up to 70 Barg
Thread type	1/2" BSPP or 1/2" NPT available, depending on Sensor thread type. (Custom threads and form factors are available on request.)

DIMENSIONS, INSTALL AND CONNECT



*OQSx-G2 sold separately



Enhanced Performance Solutions Sdn Bhd 749579 K
11, Jalan Putra Perdana 1/2, Taman Putra Perdana
47100 Puchong, Selangor Darul Ehsan
T:03 83251531 F:03 83251731
sales@epsmy.com www.epsmy.com
Contact: sofian@epsmy.com / 012-3231531

WHY TAN DELTA

Tan Delta advanced oil condition analysis technologies and products enable enhanced and highly accurate real-time monitoring and management of oil and rotating equipment. Superior accuracy combines with fully holistic analysis to deliver the ultimate equipment monitoring capability and insight. Used and trusted around the world by equipment operators to reduce costs and improve efficiency. Tan Delta provide ready-to-go equipment to end users, as well as embedded and customised product solutions to original equipment manufacturers.



Tan Delta provide OEM equipment manufacturers with fully customised integrated and cost-optimised solutions. Please contact us directly to discuss your oil condition requirements.