



Extend oil use



Reduce maintenance



Reduce breakdowns



Detect contamination

## **PRODUCT DESCRIPTION**

The Gateway Hub is a sophisticated accessory for the Gateway, allowing multiple Oil Quality Sensors to be connected and powered via a single power connection, and integrated into the Gateway IoT, which in turn enables data from your Oil Quality Sensors to be accessed on any IoT monitoring system such as Tan Delta Online.

Every equipment operator knows that machine monitoring enables effective management and thus increased reliability, efficiencies and profits. Oil Condition Monitoring with Tan Delta takes this to a new level through much greater insight into the real condition of your equipment, and delivers significantly enhanced financial and operating benefits.

## **KEY FEATURES**

- **One IoT system for multiple sensors**  
Link multiple Gateway Hubs together and enable up to 16 Oil Quality Sensors to communicate with a Gateway to create a complete IoT monitoring system powered from a single source.
- **At-a-glance monitoring**  
Built-in LEDs display status of power, data, and ring, which will detect any disconnected or non-functioning sensors or cables in the circuit. If any sensor slots are no longer required, a discrete continuity plug can substitute to maintain the complete circuit.
- **Connectivity to TD-online**  
Use in conjunction with the Gateway to provide a data hub and dashboard view of monitored assets, alerting you to developing issues prior to any equipment damage or lost production. The interface is similar across desktop/tablet/smart phone views for ease of use.
- **Industrial quality**  
IP67 rated, suitable for installation in any harsh commercial or industrial environment.

## **BENEFITS**

- **Monitor all site assets**  
View the health status and location of your entire fleet of assets at the click of a button with the Gateway IoT monitoring system.
- **Reduce breakdowns and damage**  
Improve efficiency and extend the life of your equipment by ensuring optimal oil condition and reliable early detection of potential issues before wear particles are present and damage has already occurred.
- **Extend oil drain intervals**  
Safely extend oil-life and drain intervals by monitoring real-time degradation, and conduct maintenance when there is actual need, rather than on an 'hours run' basis.
- **Simple to install**  
The mounting kit (sold separately) allows for quick and simple installation on any piece of equipment, including a bracket for mounting on a Gateway unit.

## TECHNICAL DATA

### Product information

Name	Gateway Hub
Product No.	Gateway Hub

### Physical

Material	Technomelt PA657
Dimensions (exc. cables)	114mm x 55mm x 16mm (L x W x H)
Weight	200g

### Power

Supply	9-30V
--------	-------

### Connections

Power connector	Molex 33481-0201
Sensor connectors	Molex 33472-1206
Continuity plug for ring	Molex 33482-6201
Gateway connector	Molex 33482-6201

### Data output/input

Digital output	RS485, CANbus
Protocols supported	Modbus RTU, CANopen

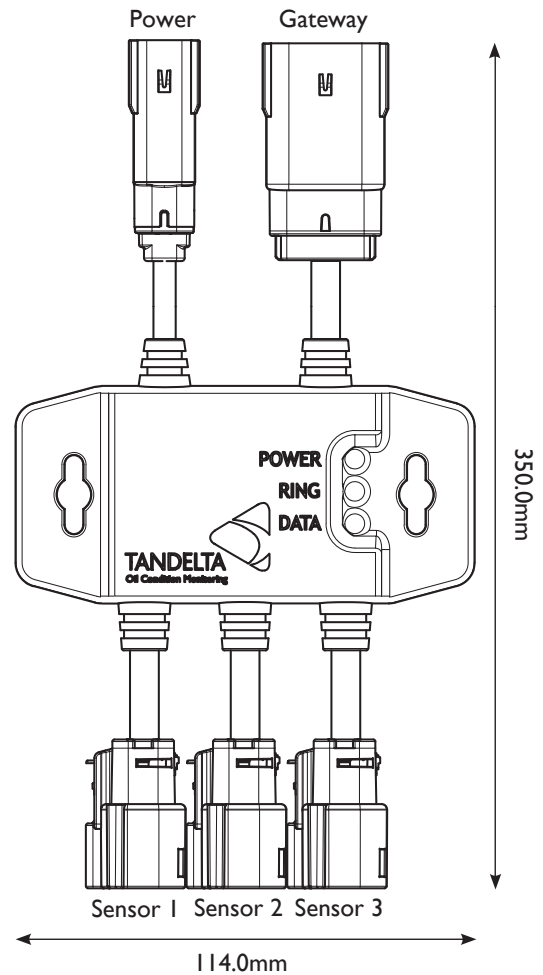
### Environmental

Operating temperature	-40°C to +85°C
Ingress protection	IP67

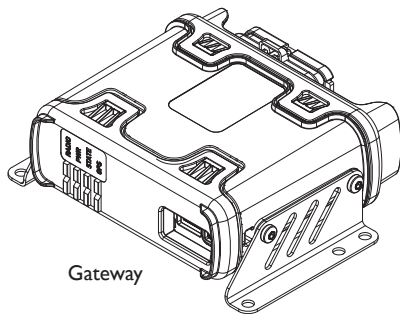
### Standards and certification

Conformity	CE UKCA RoHS Compliant
------------	------------------------------

## DIMENSIONS AND CONNECTIONS

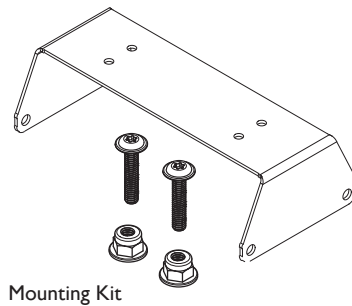


## INSTALLATION

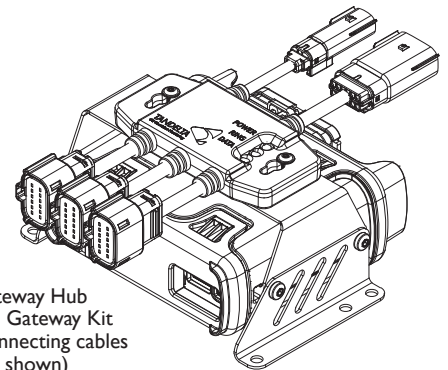


Gateway

(Gateway and mounting kit sold separately)



Mounting Kit



Gateway Hub and Gateway Kit  
(connecting cables not shown)

## WHY TAN DELTA

Tan Delta advanced oil condition analysis technologies and products enable enhanced and highly accurate real-time monitoring and management of oil and rotating equipment. Superior accuracy combines with fully holistic analysis to deliver the ultimate equipment monitoring capability and insight. Used and trusted around the world by equipment operators to reduce costs and improve efficiency. Tan Delta provide ready-to-go equipment to end users, as well as embedded and customised product solutions to original equipment manufacturers.



Tan Delta provide OEM equipment manufacturers with fully customised integrated and cost-optimised solutions. Please contact us directly to discuss your oil condition requirements.



Enhanced Performance Solutions Sdn Bhd 749579 K  
11, Jalan Putra Perdana 1/2, Taman Putra Perdana  
47100 Puchong, Selangor Darul Ehsan  
T: 03 83251531 F: 03 83251731  
sales@epsmy.com www.epsmy.com  
Contact: sofian@epsmy.com / 012-3231531

TAN DELTA SYSTEMS PLC | CARRERA COURT, CHURCH LANE, DINNINGTON  
T +44 (0)845 094 8710 F +44 (0)845 838 6711 E info@tandeltasystems.com

